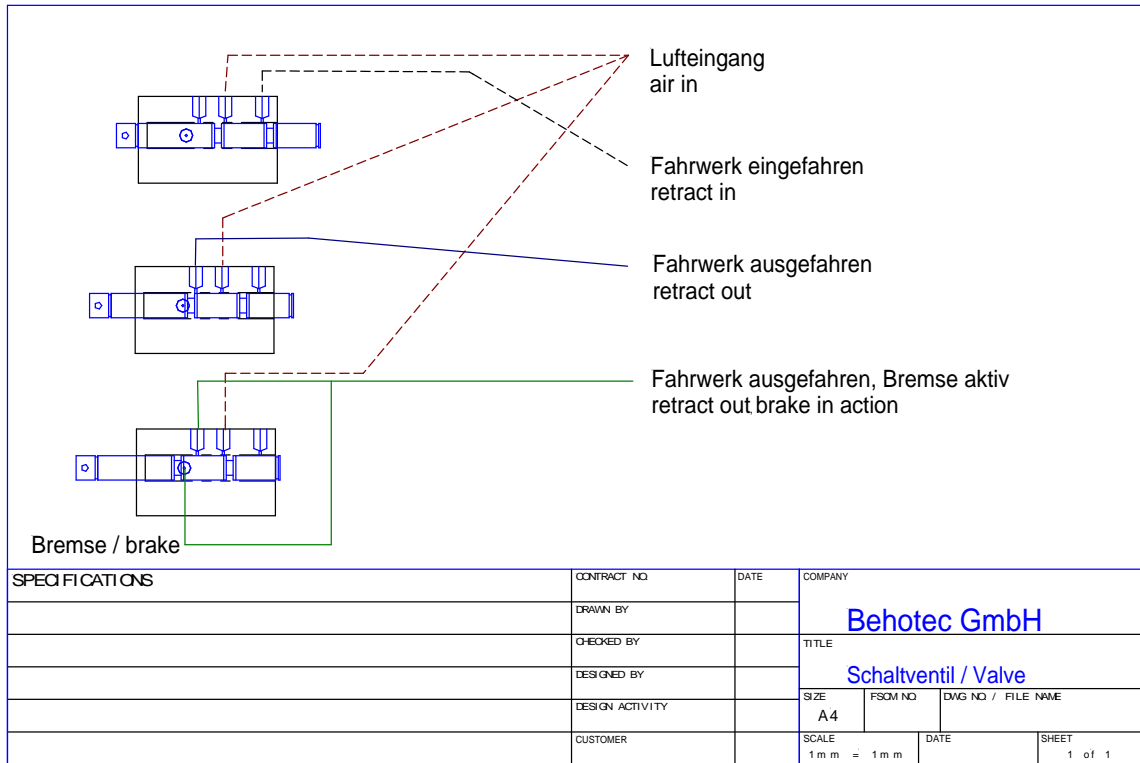
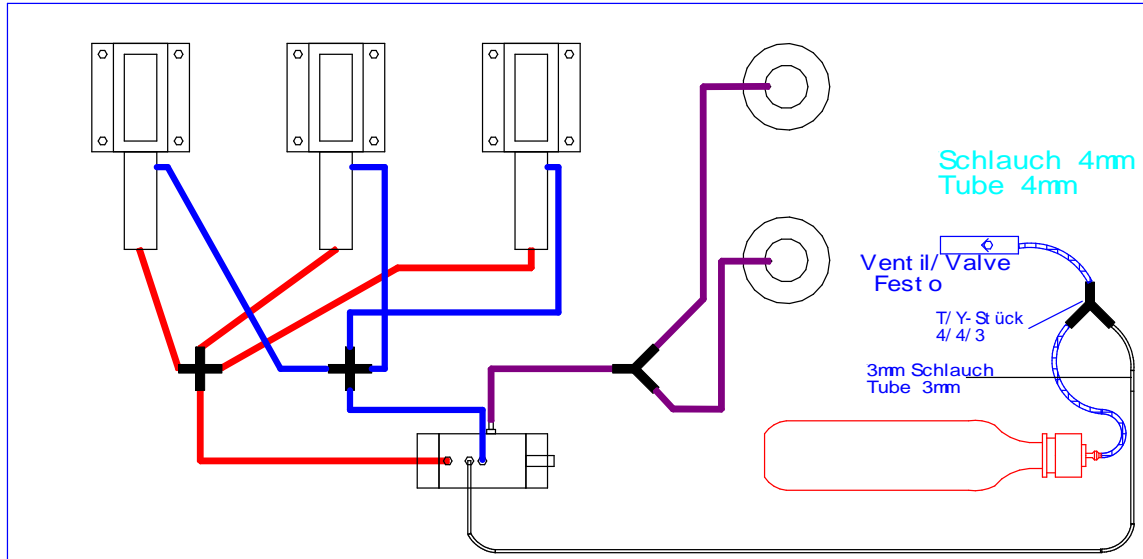


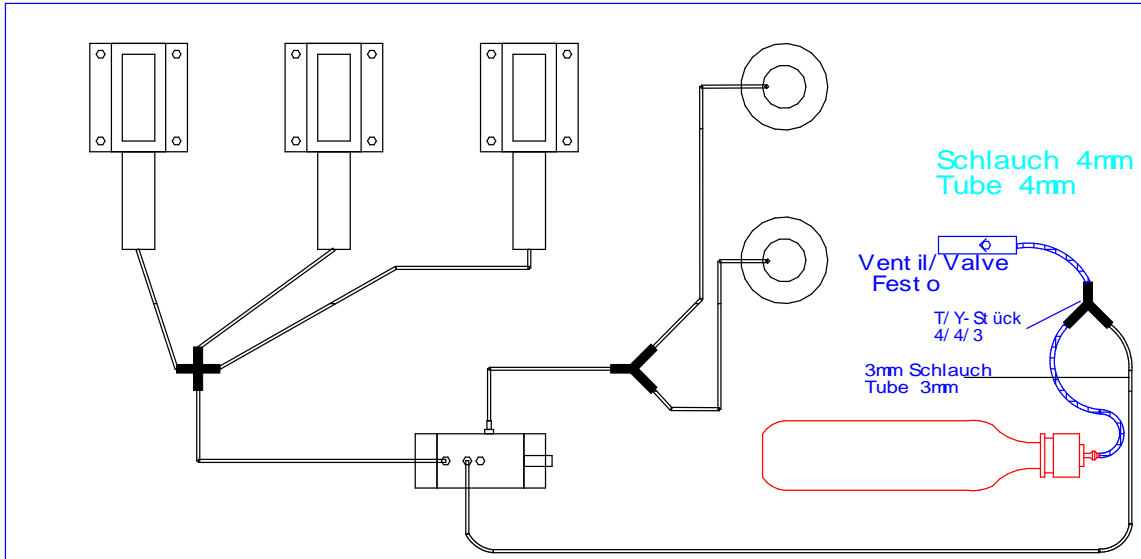


Retract / Brake Valve Installation





SPECIFICATIONS	CONTRACT NO.	DATE	COMPANY		
	DRAWN BY		Behotec		
	CHECKED BY		TITLE		
	DESIGNED BY		C36/ 2 - C50		
	DESIGN ACTIVITY		SIZE	FSOM NO.	DWG NO. / FILE NAME
	CUSTOMER		A4		
		SCALE	DATE	SHEET	
		1 m m = 1 m m		1 of 1	



SPECIFICATIONS	CONTRACT NO.	DATE	COMPANY		
	DRAWN BY		Behotec		
	CHECKED BY		TITLE		
	DESIGNED BY		C36		
	DESIGN ACTIVITY		SIZE	FSOM NO.	DWG NO. / FILE NAME
CUSTOMER		A4			
		SCALE	DATE	SHEET	
		1 m m = 1 m m		1 of 1	